

OT Security For Oil & Gas

Securing The Oil & Gas
Industry With Precision & Fidelity



SCADAfence

Value-Added Distributor
OTD BİLİŞİM
www.onlineteknikdestek.com



Unique Security Challenges for Oil & Gas Organizations

Originally, systems that linked oilfield process equipment and control systems were physically isolated from IT networks. The evolution of technology and the benefits of data collection & analysis mean that in our times, almost everything is connected to the internet. Oil & gas processes are increasingly digitalized – leaving oil & gas companies exposed to network-related vulnerabilities. The consequences of a cyber-attack can be financial and reputational. If production is stopped, income is lost. Partners and suppliers may also lose confidence in an oil & gas company's operational stability, which can make it more difficult to negotiate new deals. Depending on lease agreements and contracts, there might even be penalties if the flow of oil and gas from a well or lease is interrupted. Since there are rising efforts to breach these systems, oil and gas producers need to recognize the scale of current risk and take a proactive approach to protect their systems. Moves to cut costs due to lower oil prices have hurried the adoption of internet of things (IoT) technology – yet many IoT devices lack suitable security measures. To keep the oil and gas flowing, oil & gas companies need to step up their cyber defense strategy.

The Need for a Dedicated OT Network Security Solution

Applying IT-oriented security tools in OT networks, like in the oil & gas industry, does not protect the OT networks from OT-specific attack vectors. Utilizing IT security tools in OT might even be as dangerous as “no security”, as they provide a false sense of security. OT networks, equipment and protocols are different from their IT counterparts and therefore, require a different mindset. Planning a robust OT network security architecture requires security solutions that are tailored for their characteristics, and are specifically designed for the high availability nature and the unique traffic patterns of the OT network.

SCADAfence Platform

Real-time Continuous Network Monitoring and Protection for OT Networks

SCADAfence Platform is an industrial network monitoring system that provides cybersecurity and visibility for ICS/SCADA networks. SCADAfence Platform provides automatic asset discovery and inventory management, threat detection and risk management. By employing a wide range of algorithms, machine learning and AI, it detects anomalies and security events that can compromise availability and affect the safety and reliability of the OT network and its assets. SCADAfence Platform is the only solution in the market that is able to support the unique requirements of large scale industrial networks from a size, complexity and coverage perspective, while maintaining an affordable TCO.

SCADAfence Platform is a software-based non-intrusive solution, designed to reduce the risks of:

- Operational downtime and production process manipulation
- Malware and ransomware infection
- External or internal cyber attacks
- Human error, misconfigurations and device malfunction



SCADAfence

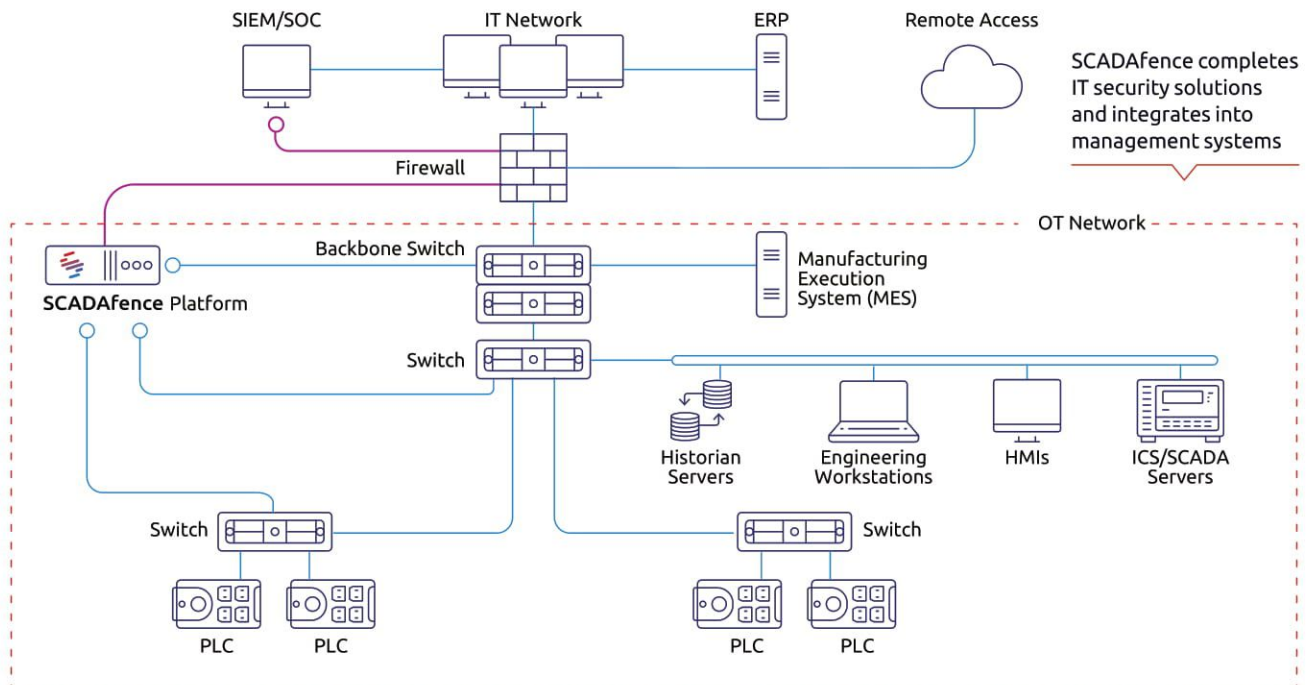
Value-Added Distributor
OTD BİLİŞİM
www.onineteknikdestek.com



SCADAfence Platform Offers Superior Protection of OT Networks with Powerful Features that Include:

- Automatic discovery and full visibility and management of OT asset inventory
- Network dashboards for traffic and security health
- Network mapping and connectivity analysis
- Detection of suspicious activities, exposures and malware attacks
- Operational alerts on asset and service availability, and performance issues
- Proactive actionable warnings regarding risks and vulnerabilities in the OT network
- Deep analysis of industrial protocols and industrial equipment activities
- Automated management level reports

The SCADAfence Platform seamlessly integrates in existing networks. It completes the firewall and SIEM solutions, by providing monitoring and alerting capabilities. Our platform connects to switches' mirroring ports, and integrates with existing security products and incident handling tools via standard industry interfaces.



Why SCADAfence?



Industry leading performance

The only solution to provide full coverage of network traffic monitoring (no sampling, no filtering)



Industry leading scalability

Designed to protect the smallest to the most complex, large-scale manufacturing networks



Seamless deployment

Automatic learning and tuning



Cost effective

Efficient deployment with high-performing sensors and low TCO



No interference with production continuity

Non-intrusive solution, can be added to existing running networks



SCADAfence

Value-Added Distributor
OTD BİLİŞİM
www.onlineteknikidestek.com



About SCADAfence

SCADAfence is the global technology leader in OT cyber security. The SCADAfence platform enables organizations with complex OT networks to embrace the benefits of industrial IoT by reducing cyber risks and mitigating operational threats. The non-intrusive platform provides full coverage of large-scale networks, offering best-in-class detection accuracy, asset discovery and user experience with minimal false-positives. SCADAfence delivers proactive security and visibility to some of the world's most complex OT networks, including the largest manufacturing facility in Europe. SCADAfence enables organizations in manufacturing, building management and critical infrastructure industries to operate securely, reliably and efficiently. To learn more, go to www.scadafence.com

Partners



FORTINET

DEMISTO

CYBERARK

ORACLE
Scaleup Ecosystem



Industries



Critical Infrastructure



Manufacturin



Building Management Systems

“OT networks connectivity has become a mandatory business requirement, triggering a shift in the security mindset from “How can I isolate?” to “How can I stay secure while connected?”

Our offices

Offices: New York, Munich, Tokyo

Contact us: info@scadafence.com

www.scadafence.com



SCADAfence

Value-Added Distributor
OTD BİLİŞİM
www.onlineteknikdestek.com

